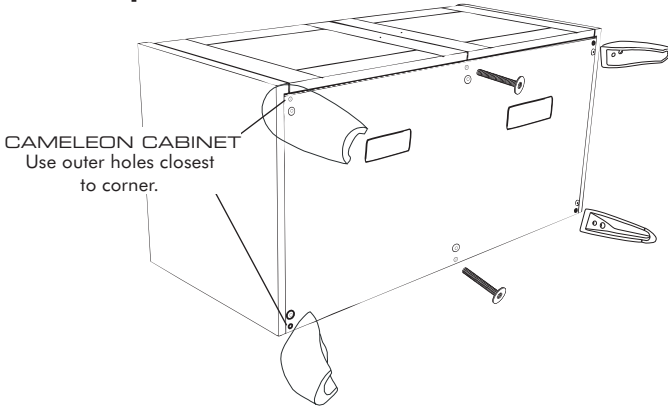




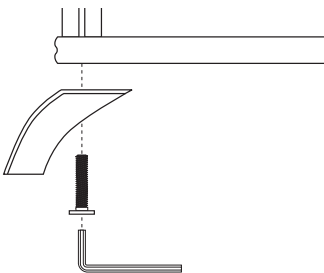
# CLAW FOOT ALUMINUM



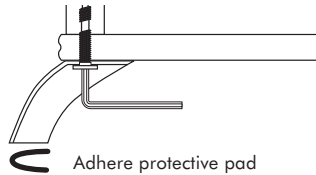
## FOOT PLACEMENT

	CHAMELEON	SYNERGY
SINGLES		
TWINS		
TRIPLES		
QUADS		

**A.** Slip a bolt through the bottom of each foot and through the bottom shelf into threaded aluminum post.



**B.** Tighten using the provided hex wrench. Don't tighten completely until feet are angled in appropriate direction



**C.** Fasten posts not requiring feet with provided connector bolts.

*\*Chameleon triples require center foot provided with fastening nut/bolt to be located in bottom center hole.*